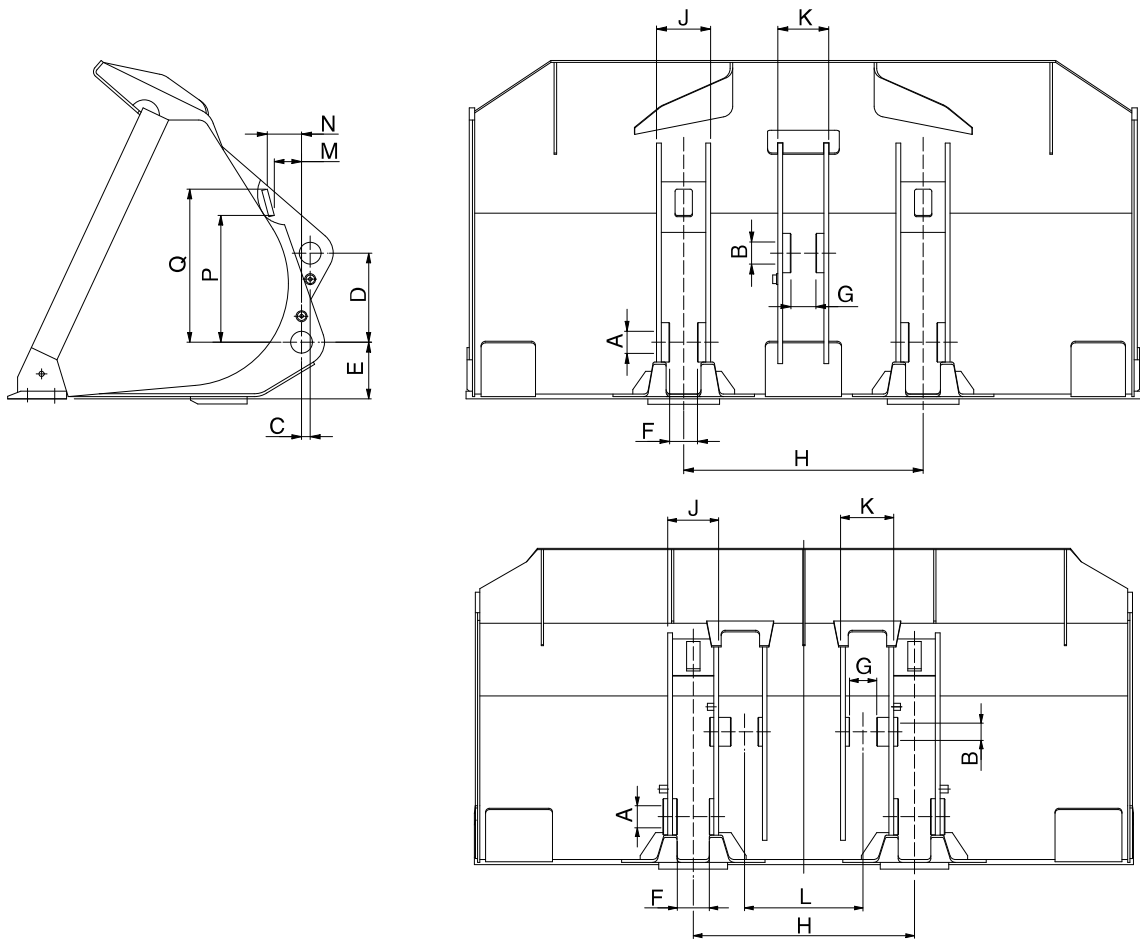


ATTACHMENT SPECIFICATION

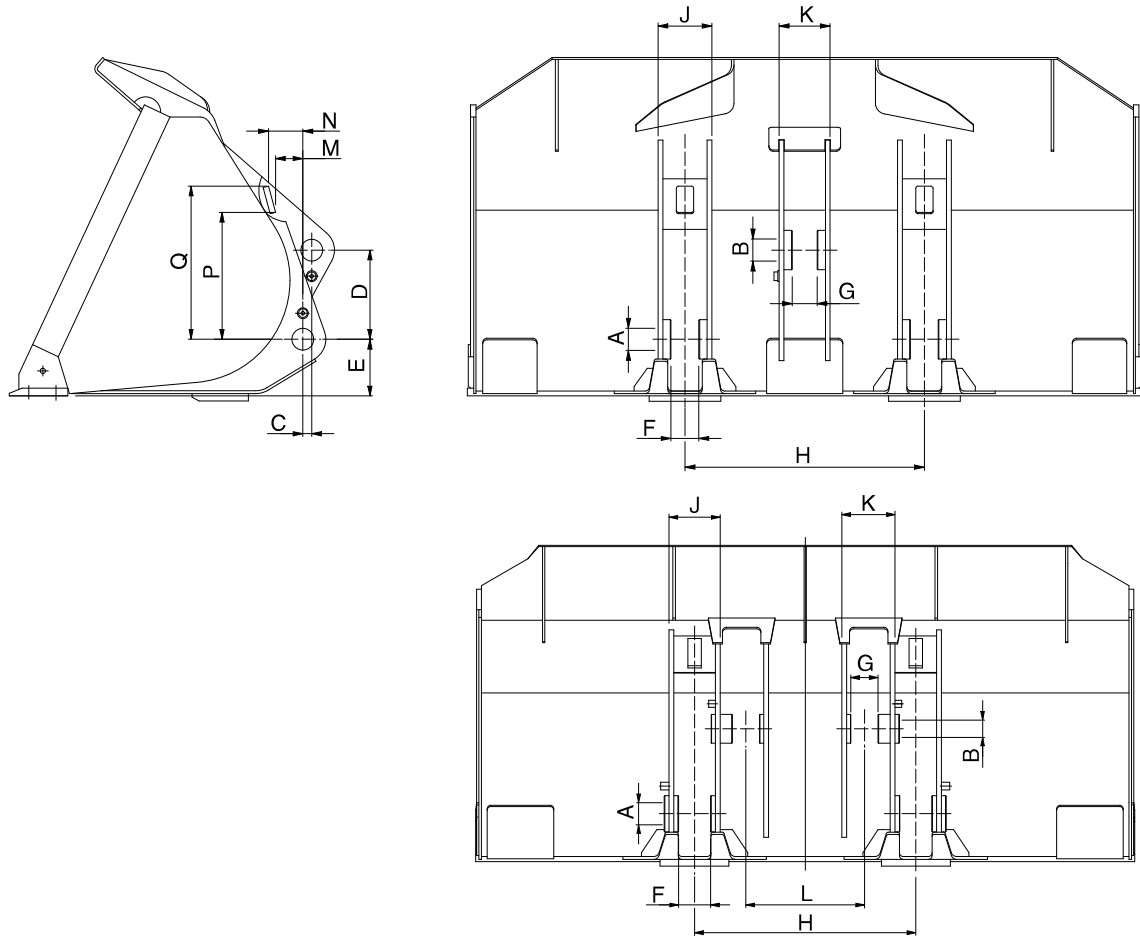
1. General Bucket Dimensions, Z-Bar Type (1/8)



Unit : mm
inch

Model	Dimensions											Roll-back stop			
	A	B	C	D	E	F	G	H	J	K	L	M	N	P	Q
	HL730-9 HL730-9A	Ø65 2.56	Ø65 2.56	30 1.18	355 13.98	200 7.87	78 3.07	76 2.99	900 35.43	152 5.98	144 5.67	NA	64 2.52	72 2.83	337 13.27
HL740-9 HL740-9A	Ø70 2.76	Ø70 2.76	40 1.57	330 12.99	210 8.27	90 3.54	78 3.07	913 35.94	174 6.85	162 6.38	NA	75 2.95	93 3.66	353 13.90	477 18.78
HL757-9 HL757-9A	Ø80 3.15	Ø80 3.15	40 1.57	345 13.58	225 8.86	112 4.41	102 4.02	1024 40.31	202 7.95	192 7.56	NA	97 3.82	116 4.57	451 17.76	549 21.61
HL760-9 HL760-9A	Ø90 3.54	Ø90 3.54	40 1.57	370 14.57	235 9.25	122 4.8	110 4.33	1058 41.65	230 9.06	218 8.58	NA	98 3.86	112 4.41	510 20.08	609 23.98
HL770-9 HL770-9A	Ø100 3.94	Ø100 3.94	40 1.57	410 16.14	260 10.24	128 5.04	114 4.49	1100 43.31	248 9.76	234 9.21	NA	128 5.04	161 6.34	593 23.35	714 28.11
HL780-9 HL780-9A	Ø110 4.33	Ø80 3.15	50 1.97	445 17.52	250 9.84	167 6.57	142 5.59	1158 45.59	267 10.51	278 10.94	621 24.45	137 5.32	180 7.05	774 30.28	918 35.95
SL735	Ø65 2.56	Ø65 2.56	30 1.18	355 13.98	205 8.07	78 3.07	76 2.99	900 35.43	150 5.91	142 5.95	NA	70 2.26	80 3.15	340 13.39	450 17.72
SL765	Ø90 3.54	Ø90 3.54	40 1.57	405 15.90	240 8.03	122 4.80	110 4.33	1058 41.70	232 9.13	220 8.66	NA	98 3.86	112 4.41	510 20.10	609 24.00

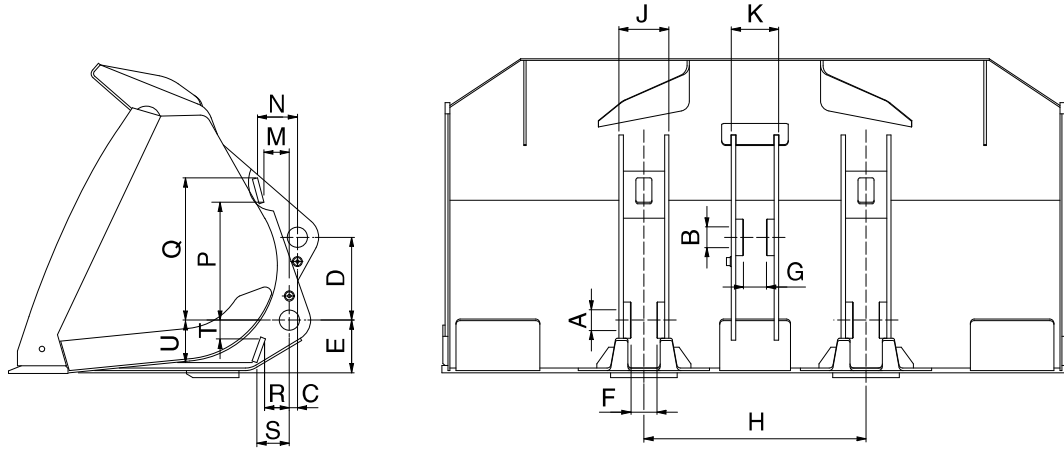
1. General Bucket Dimensions, Z-Bar Type (2/8)



Unit : mm
inch

Model	Dimensions											Roll-back stop			
	A	B	C	D	E	F	G	H	J	K	L	M	N	P	Q
	HL730-9S	Ø65	Ø65	30	355	200	78	76	900	152	144	NA	64	72	337
	2.56	2.56	1.18	13.98	7.87	3.07	2.99	35.43	5.98	5.67	NA	2.52	2.83	13.27	17.6
HL740-9S	Ø70	Ø70	40	330	210	90	78	913	172	160	NA	75	93	353	477
	2.76	2.76	1.57	12.99	8.27	3.54	3.07	35.94	6.77	6.30	NA	2.95	3.66	13.90	18.78
HL757-9S	Ø80	Ø80	40	345	225	112	102	1024	200	190	NA	78	93	431	530
	3.15	3.15	1.57	13.58	8.86	4.41	4.02	40.31	7.87	7.48	NA	3.07	3.66	16.97	20.87
HL760-9S	Ø90	Ø90	40	370	235	122	110	1058	230	218	NA	98	112	510	609
	3.54	3.54	1.57	14.57	9.25	4.8	4.33	41.65	9.06	8.58	NA	3.86	4.41	20.08	23.98
HL770-9S HL775-9S	Ø100	Ø100	40	410	260	128	114	1100	248	234	NA	128	161	593	714
	3.94	3.94	1.57	16.14	10.24	5.04	4.49	43.31	9.76	9.21	NA	5.04	6.34	23.35	28.11
HL780-9S	Ø110	Ø80	50	445	250	167	142	1158	267	278	623	137	180	774	918
	4.33	3.15	1.97	17.52	9.84	6.57	5.59	45.59	10.51	10.94	24.53	5.39	7.13	30.47	36.14

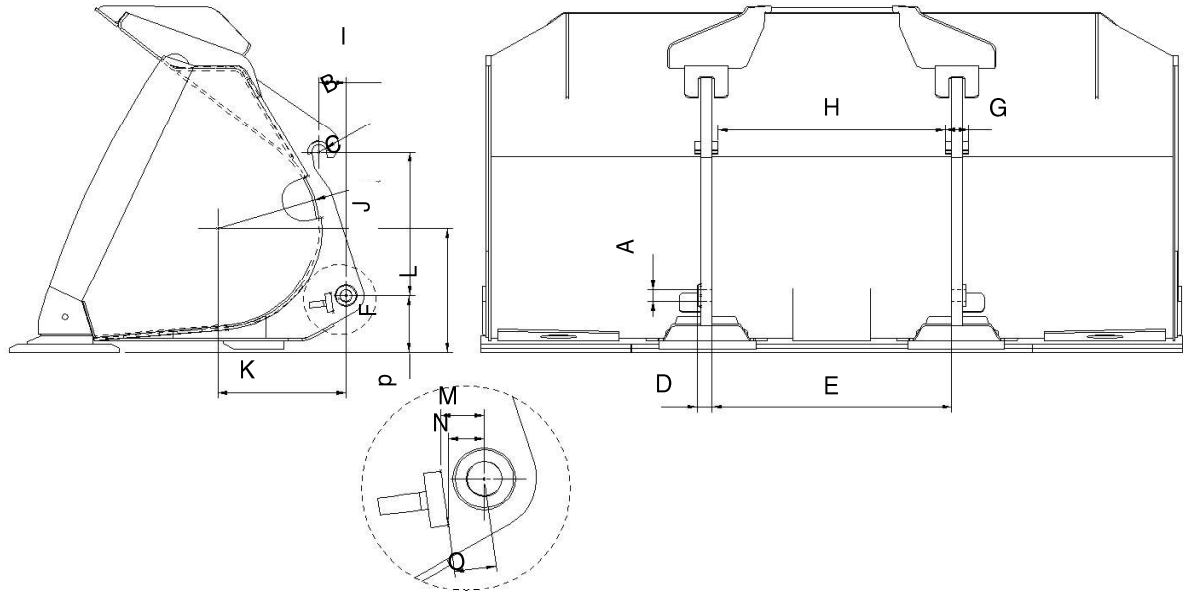
1. General Bucket Dimensions, Z-Bar Type (3/8)



Unit : mm
inch

Model	Dimensions																	
	A	B	C	D	E	F	G	H	J	K	Roll-back stop				Dump stop			
											M	N	P	Q	R	S	T	U
HL930A	Ø65	Ø65	30	355	200	78	76	900	152	144	64	72	337	447	-	-	-	-
	2.56	2.56	1.18	13.98	7.87	3.07	2.99	35.43	5.98	5.67	2.52	2.83	13.27	17.6	-	-	-	-
HL935 HL935XT HL940 HL940XT HL940A	Ø70	Ø70	40	330	210	90	78	913	174	162	75	93	353	477	118	140	68	165
	2.76	2.76	1.57	12.99	8.27	3.54	3.07	35.94	6.85	6.38	2.95	3.66	13.90	18.78	4.65	5.51	2.68	6.50
HL955 HL955XT HL955A	Ø80	Ø80	40	370	235	112	102	1024	202	192	97	116	451	549	142	166	91	189
	3.15	3.15	1.57	14.57	9.25	4.41	4.02	40.31	7.95	7.56	3.82	4.57	17.76	21.61	5.59	6.54	3.58	7.44
HL960 HL960XT HL960A HL965 HL965XT HL965A	Ø90	Ø90	50	400	250	131	110	1059	239	218	118	133	506	605	158	184	82	179
	3.54	3.54	1.97	15.75	9.84	5.16	4.33	41.69	9.41	8.58	4.65	5.24	19.92	23.82	6.22	7.24	3.23	7.05
HL970 HL970XT HL970A HL975 HL975A HL975XT	Ø100	Ø100	50	425	275	128	114	1100	248	234	128	161	593	714	161	195	100	220
	3.94	3.94	1.97	16.73	10.83	5.04	4.49	43.31	9.76	9.21	5.04	6.34	23.35	28.11	6.34	7.68	3.94	8.66
HL980 HL980XT HL980A	Ø110	Ø110	50	475	275	167	128	1158	287	254	159	199	747	865	151	175	98	220
	4.33	4.33	1.97	18.70	10.83	6.57	5.04	45.59	11.30	10.00	6.26	7.83	29.41	34.06	5.94	6.89	3.86	8.66

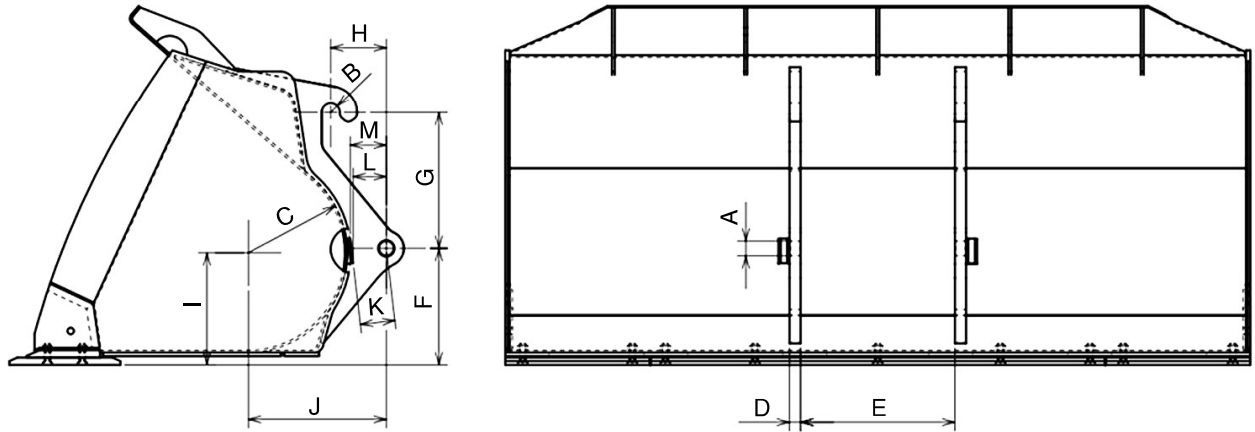
1. Quick Bucket Dimensions, Quick Coupler Type (4/8)



Unit : mm
inch

Model	Dimensions														
	A	B	C	D	E	F	G	H	I	J	K	L	M	N	O
HL930A	Ø50	Ø62	Ø321	38	962	180	85	915	112	605	392	402	62	52	60
	1.97	2.44	12.64	1.5	37.87	7.09	3.35	36.02	4.41	23.82	15.43	15.83	2.44	2.05	2.36
HL935 HL935XT HL940 HL940XT	Ø50	Ø62	Ø323	38	962	190	85	915	112	605	395	410	62	52	60
	1.97	2.44	12.72	1.50	36.38	7.48	3.07	34.80	4.41	23.82	15.55	16.14	2.44	2.05	2.36
HL955 HL955XT HL955A	Ø50	Ø62	Ø393	45	955	214	85	915	112	605	510	481	62	52	60
	1.97	2.44	15.47	1.77	37.60	8.43	3.74	35.63	4.41	23.82	20.08	18.94	2.44	2.05	2.36
HL960 HL960XT HL960A	Ø50	Ø62	Ø420	45	955	240	85	915	112	605	530	527	62	52	60
	1.97	2.44	16.54	2.36	39.06	9.45	3.74	37.09	4.41	23.82	20.87	20.75	2.44	2.05	2.36
HL965 HL965XT HL965A	Ø50	Ø62	Ø420	45	955	240	85	915	112	605	530	529	62	52	60
	1.97	2.44	16.54	2.36	39.06	9.45	3.74	37.09	4.41	23.82	20.87	20.83	2.44	2.05	2.36
HL970 HL970XT HL970A HL975 HL975XT HL975A	Ø75	Ø83	Ø462	75	1000	260	110	950	189	756	575	570	98	77	91
	2.95	3.27	18.19	2.95	39.37	10.24	3.94	37.40	7.44	29.76	22.64	22.44	3.86	3.03	3.58

1. Quick Bucket Dimensions, Tool Master Type (5/8)

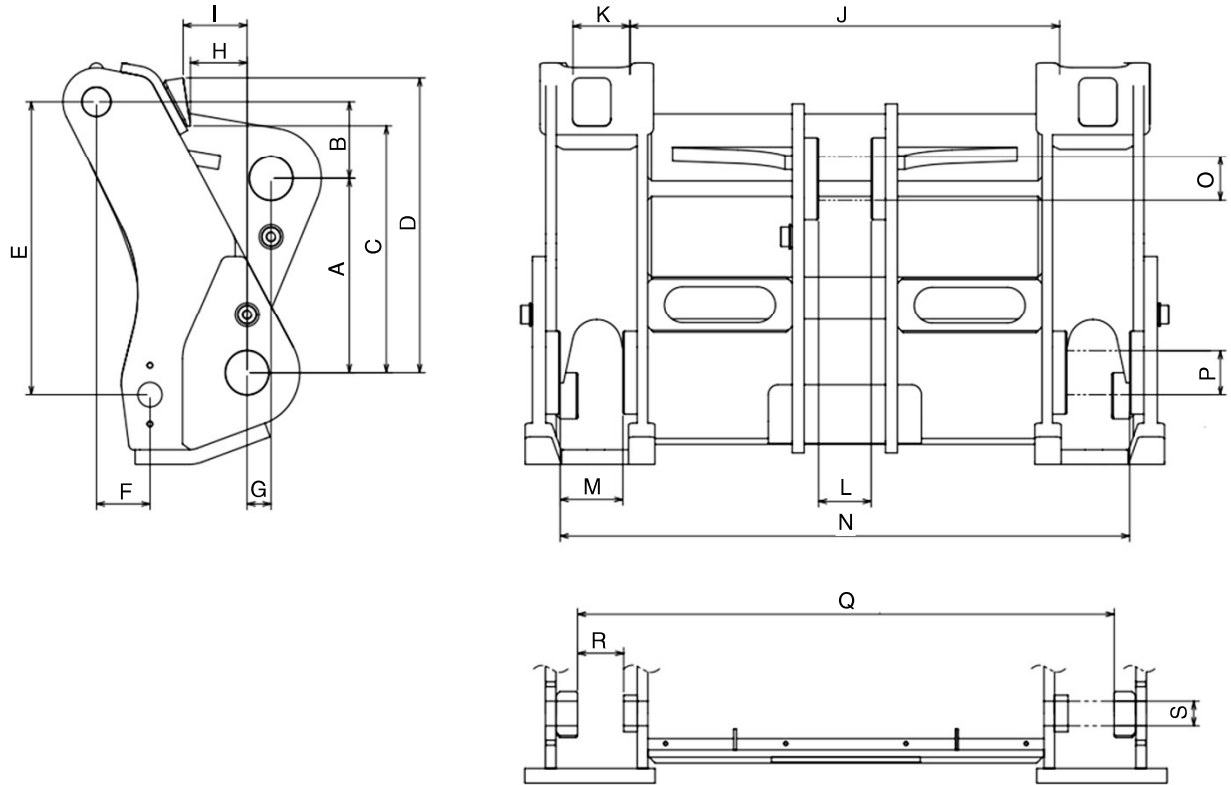


Unit : mm
inch

Model	Dimensions												
	A	B	C	D	E	F	G	H	I	J	K	L	M
HL730TM-9 HL730TM-9A HL935TM HL930ATM	Ø50	Ø62	R336	38	528	395	465	190	380	470	118	113	123
	1.97	2.44	R13.23	1.50	20.79	15.55	18.31	7.48	14.96	18.50	4.65	4.45	4.84
HL740TM-9 HL740TM-9A HL940TM HL940ATM	Ø50	Ø62	R338	38	528	395	465	190	380	472	118	113	123
	1.97	2.44	R13.31	1.50	20.79	15.55	18.31	7.48	14.96	18.58	4.65	4.45	4.84
HL757TM-9 HL757TM-9A HL955TM HL955ATM	Ø50	Ø62	R343	38	692	425	440	180	385	482	122	122	122
	1.97	2.44	R13.50	1.50	27.24	16.73	17.32	7.09	15.16	18.98	4.78	4.78	4.78

ATTACHMENT SPECIFICATION

1. Quick Coupler Dimensions, Z-Bar Type (6/8)

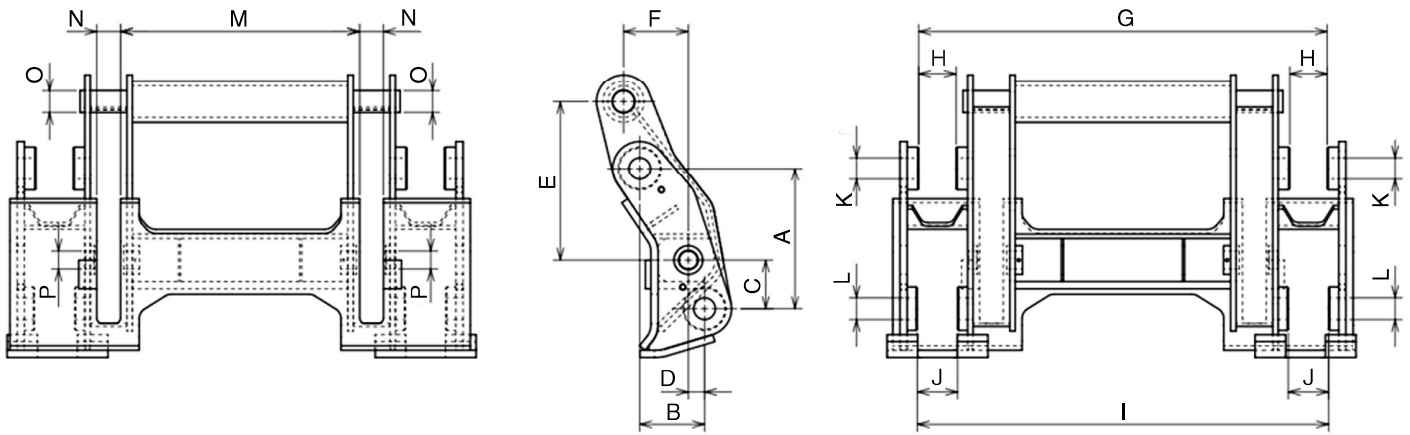


Unit : mm
inch

Model	Dimensions																					
	A	B	C	D	E	F	G	H	I	J	K	L	M	N	O	P	Q	R	S	T	U	V
HL930A	355	205	347	447	605	112	30	65	72	894	105	76	78	978	65	65	1,068	67	50	1,186	1,186	1,344
	13.98	8.07	13.66	17.6	23.82	4.41	1.18	2.56	2.83	35.2	4.13	2.99	3.07	38.5	2.56	2.56	42.05	2.64	1.97	46.69	46.69	52.91
HL935 HL935XT HL940 HL940XT HL940A	330	230	378	477	605	112	40	119	133	902	98	78	90	1,003	ø70	ø70	1,061	60	ø50	1,187	1,192	1,345
	12.99	9.06	14.88	18.78	23.82	4.41	1.57	4.69	5.24	35.51	3.86	3.07	3.54	39.49	2.76	2.76	41.77	2.36	1.97	46.73	46.93	52.95
HL955 HL955XT HL955A	370	190	451	549	605	112	40	97	116	888	110	102	112	1,136	ø80	ø80	1,072	69	ø50	1,198	1,248	1,356
	14.57	7.48	17.76	21.61	23.82	4.41	1.57	3.82	4.57	34.96	4.33	4.02	4.41	44.72	3.15	3.15	42.02	2.72	1.97	47.17	49.13	53.39
HL960 HL960XT HL960A HL965 HL965XT HL965A	401	159	507	605	605	112	50	118	133	892	101	110	132	1,190	ø90	ø90	1,074	68	ø50	1,242	1,304	1,402
	15.79	6.26	19.96	23.82	23.82	4.41	1.97	4.65	5.24	35.12	3.98	4.33	5.2	46.85	3.54	3.54	42.28	2.68	1.97	48.9	51.34	55.2
HL970 HL970XT HL970A HL975 HL975XT HL975A	425	281	593	714	756	189	50	128	161	941	119	114	129	1,229	ø100	ø100	1,175	101	ø75	1,281	1,329	1,433
	16.73	11.06	23.35	28.11	29.76	7.44	1.97	5.04	6.34	37.05	4.69	4.49	5.08	48.39	3.94	3.94	46.26	3.98	2.95	50.43	52.32	56.42

ATTACHMENT SPECIFICATION

1. Quick Coupler Dimensions, Tool Master Type (7/8)

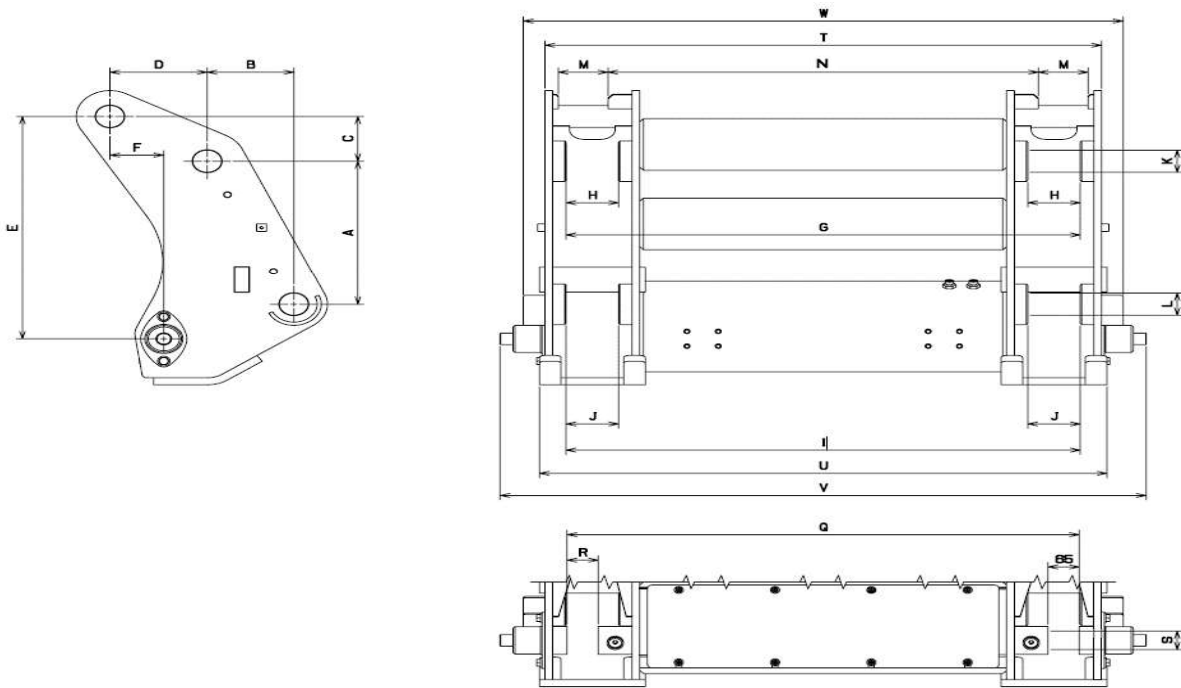


Unit : mm
inch

Model	Dimensions															
	A	B	C	D	E	F	G	H	I	J	K	L	M	N	O	P
HL730TM-9 HL730TM-9A HL930ATM	430	0	116	15	502	22	987	87	987	87	Ø50	Ø50	514	51	Ø60	Ø50
	16.93	0.00	4.57	0.59	19.76	0.87	38.86	3.43	38.86	3.43	1.97	1.97	20.24	2.01	2.36	1.97
HL740TM-9 HL740TM-9A HL940TM HL940ATM	430	0	116	15	502	22	1,068	109	1,068	109	Ø60	Ø60	514	51	Ø60	Ø50
	16.93	0.00	4.57	0.59	19.76	0.87	42.05	4.29	42.05	4.29	2.36	2.36	20.24	2.01	2.36	1.97
HL757TM-9 HL757TM-9A HL955TM HL955ATM	390	180	135	45	440	180	1,134	104	1,142	112	Ø60	Ø60	664	66	Ø60	Ø50
	15.35	7.09	5.31	1.77	17.32	7.09	44.65	4.09	44.96	4.41	2.36	2.36	26.14	2.60	2.36	1.97

ATTACHMENT SPECIFICATION

1. Quick Coupler Dimensions, Tool Master ISO Type (8/8)



Unit : mm
inch

Model	Dimensions																				
	A	B	C	D	E	F	G	H	I	J	K	L	M	N	Q	R	S	T	U	V	W
HL930ATM	390	180	112	202	605	112	984	84	984	84	∅50	∅50	100	900	1,064	76	∅50	1,156	1,173	1,340	1,246
	15.35	7.09	4.41	7.95	23.82	4.41	38.74	3.31	38.74	3.31	1.97	1.97	3.94	35.43	41.89	2.99	1.97	45.51	46.18	52.76	49.06
HL940TM	390	180	121	202	605	112	1,068	109	1,068	109	∅60	∅60	103	894	1,064	65	∅50	1,156	1,179	1,340	1,246
HL940ATM	15.35	7.09	4.76	7.95	23.82	4.41	42.05	4.29	42.05	4.29	2.36	2.36	4.06	35.2	41.89	2.56	1.97	45.51	46.42	52.76	49.06
HL955TM	390	180	140	202	605	112	1,134	104	1,142	112	∅60	∅60	96	906	1,098	83	∅50	1,236	1,260	1,420	1,326
HL955ATM	15.35	7.09	5.51	7.95	23.82	4.41	44.65	4.09	44.96	4.41	2.36	2.36	3.78	35.67	43.23	3.27	1.97	48.66	49.61	55.91	52.2