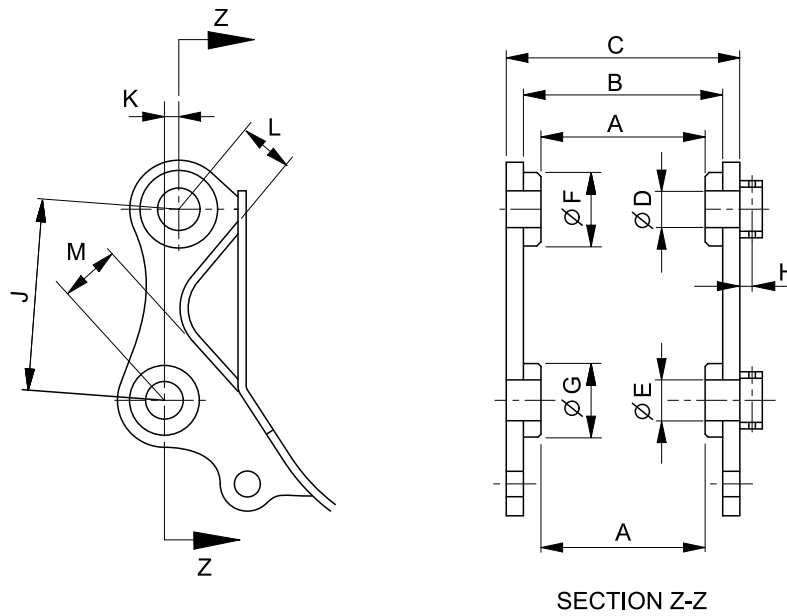


ATTACHMENT SPECIFICATION

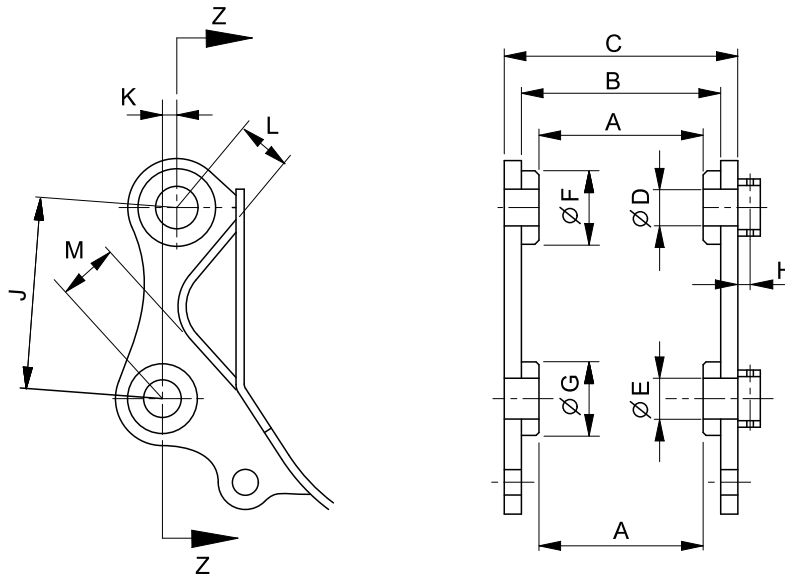
2. Mounting lug, Bucket



Unit : mm
inch

Model	A	B	C	J	K	L	M	ØD	ØE	ØF	ØG	H
R16-9	119	167	185	143	27	56	51	30	30	70	70	16
R18-9, 9AK	4.69	6.57	7.28	5.61	1.06	2.20	2.01	1.18	1.18	2.76	2.76	0.63
R17Z-9A	119	167	185	143	27	56	50	30	30	70	70	16
	4.69	6.57	7.28	5.61	1.06	2.20	1.97	1.18	1.18	2.76	2.76	0.63
R25Z-9A, 9AK	137	169	193	180	0	59	50	35	35	80	80	16
	5.39	6.65	7.60	7.09	0.00	2.32	1.97	1.38	1.38	3.15	3.15	0.63
R27Z-9	135	169	193	180	0	59	52	35	35	80	80	16
R30Z-9AK	5.31	6.65	7.60	7.09	0.00	2.32	2.05	1.38	1.38	3.15	3.15	0.63
R35Z-9, 9A	135	183	207	201	20	75	60	40	40	80	80	18
	5.31	7.20	8.15	7.91	0.79	2.95	2.36	1.57	1.57	3.15	3.15	0.71
R55-9, 60-9S	164	216	249	291	57	78	80	45	45	100	100	18
R55W-9, 60W-9S												
R60CR-9	6.46	8.50	9.80	11.44	2.24	3.07	3.15	1.77	1.77	3.94	3.94	0.71
HX60, HW60												
R80CR-9	194	252	290	295	52	87	85	55	55	108	108	19
	7.64	10.00	11.50	11.60	2.05	3.23	3.35	2.17	2.17	4.25	4.25	0.75
HX85A	194	252	290	295	52	92	116	55	55	108	108	19
	7.64	9.92	11.42	11.60	2.05	3.62	4.57	2.17	2.17	4.25	4.25	0.75
R125LCR-9A	259	321	365	391	29	120	130	65	65	130	130	19
	10.20	12.64	14.37	15.40	1.14	4.72	5.12	2.56	2.56	5.12	5.12	0.75
HX130 LCR	259	321	365	391	29	122	132	65	65	130	130	19
	10.20	12.64	14.37	15.40	1.14	4.80	5.20	2.56	2.56	5.12	5.12	0.75
HX130A LCR	259	321	365	403	102.7	122	109	65	65	130	130	19
	10.20	12.64	14.37	15.88	4.04	4.80	4.29	2.56	2.56	5.12	5.12	0.75

ATTACHMENT SPECIFICATION

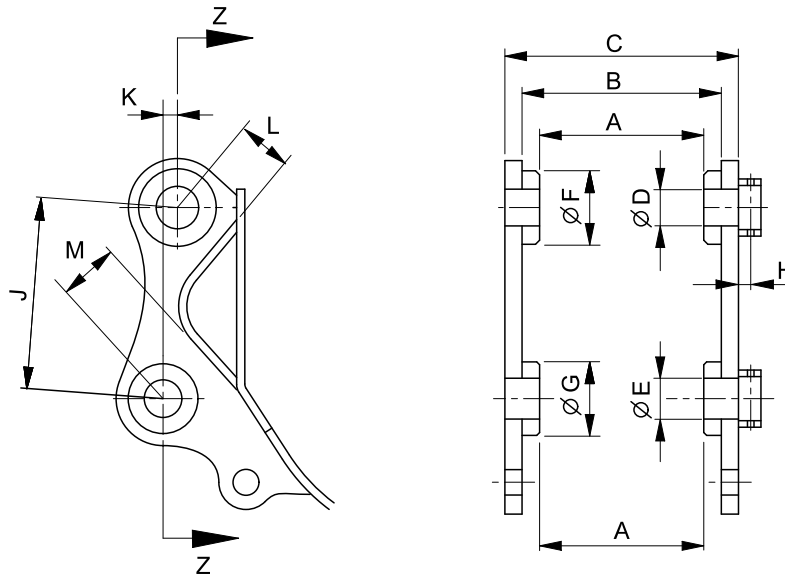


SECTION Z-Z

Unit : mm
inch

Model	A	B	C	J	K	L	M	ØD	ØE	ØF	ØG	H
R140LC-9, 9S R140W-9, 9S, HX140LT3	259	324	368	396	68	110	108	65	65	130	130	19
R145CR-9 HX145LCRT3	10.20	12.76	14.49	15.59	2.68	4.33	4.25	2.56	2.56	5.12	5.12	0.75
HX140 L, LC, HW140	259	321	365	396	68	111	109	65	65	130	130	19
HX145 LCR, HW145	10.20	12.64	14.37	15.59	2.68	4.37	4.29	2.56	2.56	5.12	5.12	0.75
HX140A L, HW140A	259	321	365	396	68	113	111	65	65	130	130	19
HX145A LCR, HW155A	10.20	12.64	14.37	15.59	2.68	4.45	4.37	2.56	2.56	5.12	5.12	0.75
R160LC-9, 9S R160W-9A R170W-9, 9S R180LC-9, 9S R190W-9	307	371	421	412	37	110	120	70	70	140	140	25
	12.09	14.61	16.57	16.21	1.46	4.33	4.72	2.76	2.76	5.51	5.51	0.98
HX160 L, HW160	307	369	419	412	37	110	120	70	70	140	140	25
HX180 L, HW180	12.09	14.53	16.50	16.21	1.46	4.33	4.72	2.76	2.76	5.51	5.51	0.98
HX160A L, HW160A	307	369	419	460	114.2	110	120	70	70	140	140	25
HW170ACR	12.09	14.53	16.50	18.11	4.50	4.33	4.72	2.76	2.76	5.51	5.51	0.98
R210LC-9, NLC-9 R210W-9, 9S R220LC-9A, 9S, 9SH R235LCR-9 HX210A L, A NL HW210, 210A HX210, 220S HX220 L, NL, LT3, A L HX225 L, HX235 LCR HX235LCRT3, A LCR	330	392	442	460	0	120	113	80	80	150	150	25
	12.99	15.43	17.40	18.11	0.00	4.72	4.45	3.15	3.15	5.91	5.91	0.98

ATTACHMENT SPECIFICATION

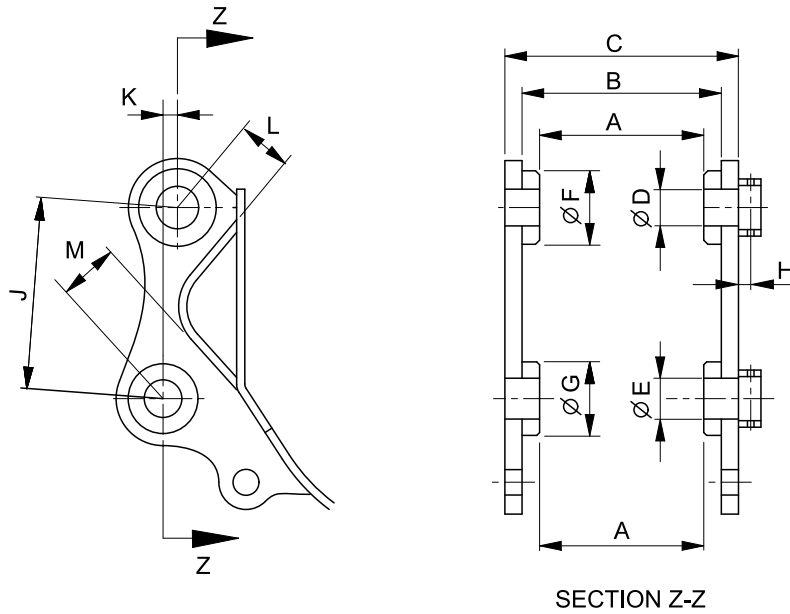


SECTION Z-Z

Unit : mm
inch

Model	A	B	C	J	K	L	M	ØD	ØE	ØF	ØG	H
Long reach 22, 30 ton	259	321	365	396	68	112	108	65	65	125	125	19
	10.20	12.64	14.37	15.59	2.68	4.41	4.25	2.56	2.56	4.92	4.92	0.75
R250LC-9 R260LC-9A, 9S HX260 L, LT3, A L	399	461	525	511	37	129	122	90	90	170	170	25
	15.71	18.15	20.67	20.13	1.46	5.08	4.80	3.54	3.54	6.69	6.69	0.98
R290LC-9, R300LC-9A, 9S, 9SH HX300 L, LT3, A L, S L	399	461	525	511	37	129	122	90	90	170	170	25
	15.71	18.15	20.67	20.13	1.46	5.08	4.80	3.54	3.54	6.69	6.69	0.98
R320LC-9 R330LC-9A, 9S, 9SH R350LC-9 HX330 L, A L, S L HX340S L	430	504	568	553	57	134	125	100	100	180	180	30
	16.93	19.84	22.36	21.77	2.24	5.28	4.92	3.94	3.94	7.09	7.09	1.18
R380LC-9, 9SH R380LC-9A HX380 L, A L HX400LT3	430	492	568	552	47	163	128	100	100	180	180	30
	16.93	19.37	22.36	21.73	1.85	6.42	5.04	3.94	3.94	7.09	7.09	1.18
R430LC-9, 9SH HX430 L	430	492	568	552	47	163	128	100	100	180	180	30
	16.93	19.37	22.36	21.73	1.85	6.42	5.04	3.94	3.94	7.09	7.09	1.18
R480LC-9, 9A R480LC-9S (-#1075)	430	482	572	583	83	171	188	100	100	208	180	35
	16.93	18.98	22.52	22.95	3.27	6.73	7.40	3.94	3.94	8.19	7.09	1.38
R480LC-9S (#1076-) R520LC-9, 9A, 9S HX480 L, A L, S L HX520 L, A L, S L	430	496	572	583	83	171	188	120	120	208	180	35
	16.93	19.53	22.52	22.95	3.27	6.73	7.40	4.72	4.72	8.19	7.09	1.38
R800LC-9 R850LC-9	532	594	714	732	121	173	162	130	130	244	244	0
	20.94	23.39	28.11	28.82	4.76	6.81	6.38	5.12	5.12	9.61	9.61	0.00

ATTACHMENT SPECIFICATION



Unit : mm
inch

Model	A	B	C	J	K	L	M	ØD	ØE	ØF	ØG	H
Long reach	430	496	572	583	83	171	188	120	120	208	180	35
R800LC-9	16.93	19.53	22.52	22.95	3.27	6.73	7.40	4.72	4.72	8.19	7.09	1.38
R850LC-9												
HX900 L	562	624	744	732	121	212	162	140	140	294	254	0
	22.13	24.57	29.29	28.82	4.76	8.35	6.38	5.51	5.51	11.57	10.00	0.00
R1200-9	650	712	852	842	139	201	188	160	140	275	248	0
R1250-9	25.59	28.03	33.54	33.13	5.47	7.91	7.40	6.30	5.51	10.83	9.76	0.00