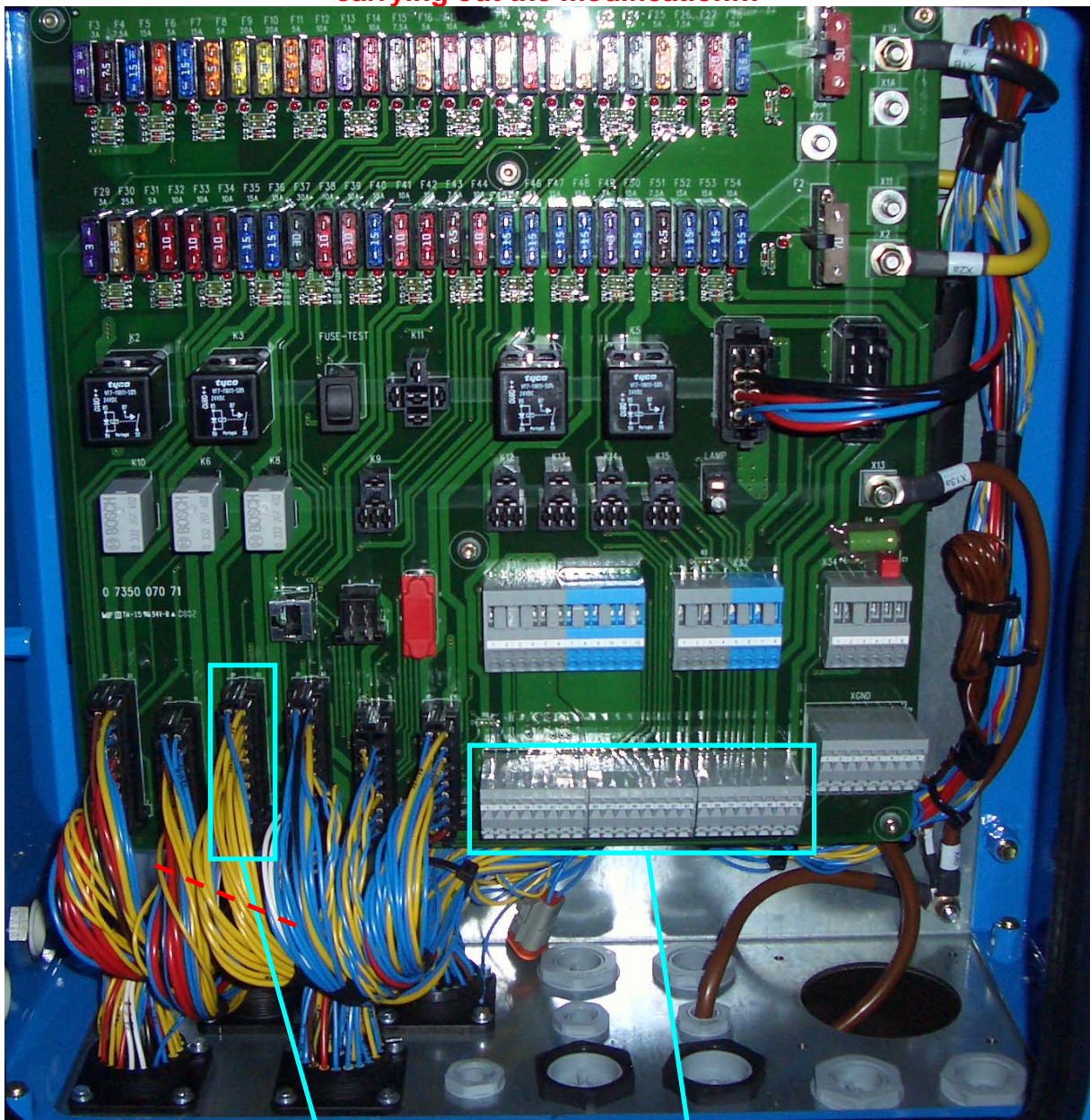


No standby function of the display after turning off the ignition

Required parts and tools:

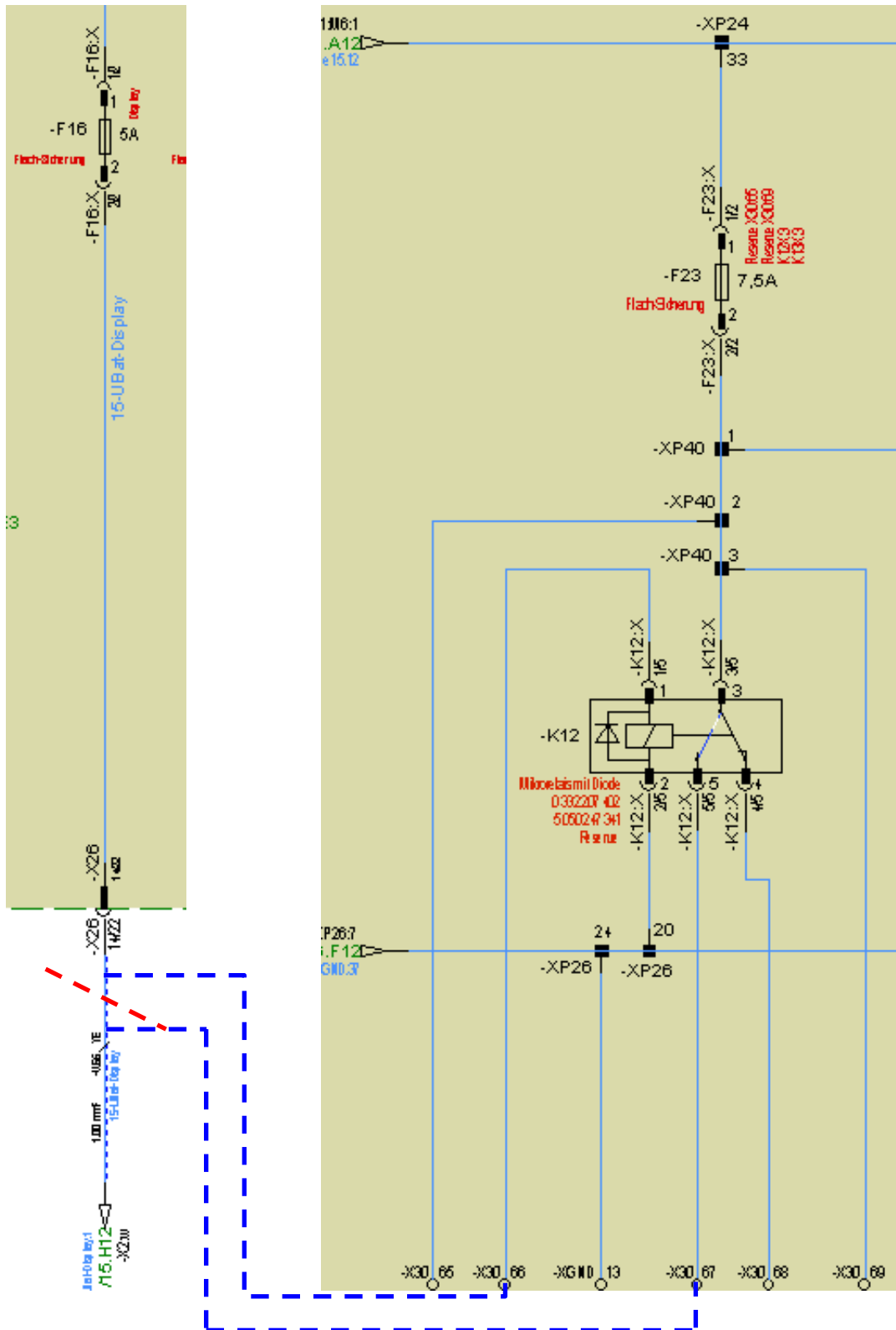
- Side cutter
- Wire stripper
- Small slotted screwdriver
- Crimping tool
- 2 Butt connectors
- 1 Meter single conductor cable 1 -1,5 mm²
- Micro relay with diode (Terex part no.: 5 050 247 341; Bosch part no.: 0332207402)

!!!Be sure the ignition is off and the battery connector switch is removed while carrying out the modification!!!



Plug X26

Terminal block X30



Insert the micro relay into the socket K12 on the central circuit board.
 Cut the yellow cable –W66 (1,00mm² - labeled with “15-UBat-Display”) at the red dashed line (see picture above). Connect both cable end parts with butt connectors. Now elongate both ends with pieces of cable. Connect the cables to the terminal block –X30 like shown above (blue dashed lines). The elongated cable which is connected to the plug –X26, Terminal 14 has to be connected to the terminal block –X30, Terminal 66 without using a wire end sleeve. The other cable has to be connected to –X30, Terminal 67.